



# GRIDAR

## TECHNOLOGIES

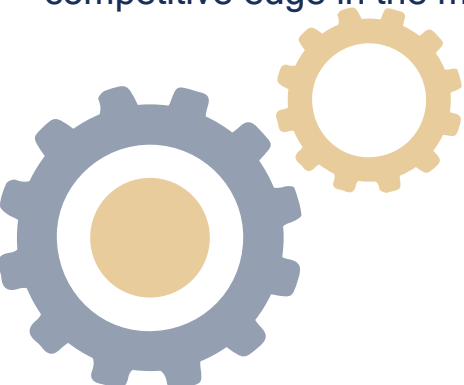
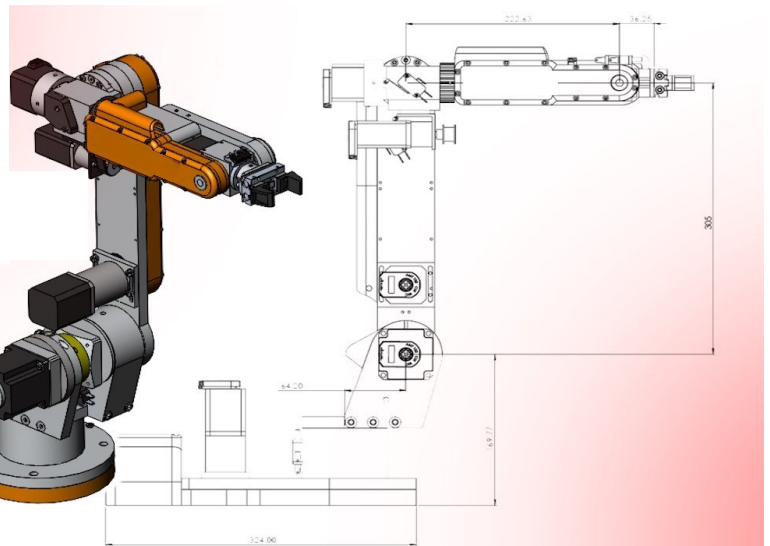


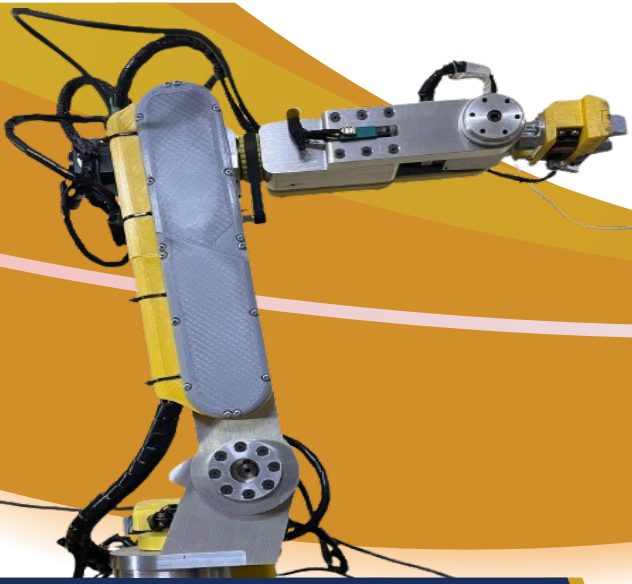
### ABOUT US

Gridar Technologies has consistently expanded product range over the years. We now offer rapid prototyping machines (3D printers), robots, and light automation solutions. This focus aligns with the growing demand for efficient manufacturing processes.

**GT AR4 ROBOT-** The GT AR4 robots stand out for their exceptional versatility, dependability and ease of operation. These characteristics make them a preferred choice for manufacturers, enabling them to streamline their processes and increase efficiency. By integrating GT AR4 robots into their production lines, companies can significantly enhance performance, reduce operational costs, and ultimately drive greater profitability.

The robots user-friendly design and robust functionality provide manufacturers with a powerful tool to improve productivity and maintain a competitive edge in the market.





## ROBOT SPECIFICATIONS

Reach	620 mm
Payload	1.9 kg
Repeatability	0.2 mm
Robot weight	14 kg
Power Supply	220 V, Single Phase
Max Power Consumption	8.25amp (198 watts)
Axis-1 (Joint 1)	340 Degrees
Axis-2 (Joint 2)	130 Degrees
Axis-3 (Joint 3)	140 Degrees
Axis-4 (Joint 4)	360 Degrees
Axis-5 (Joint 5)	210 Degrees
Axis-6 (Joint 6)	360 Degrees
Speed	100 mm/Sec
Gripper	Servo
	Pneumatic
Operating Temperatue	0 to 45 Degree Celcius

